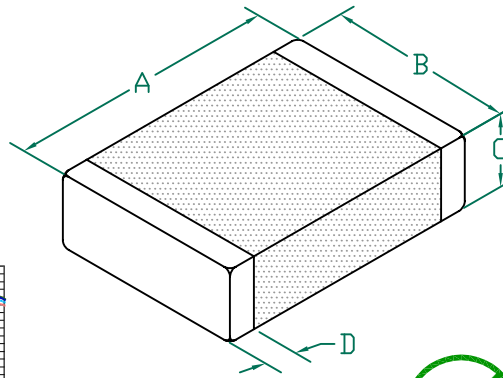


LI1812D121R-10

UNCONTROLLED DOCUMENT

PHYSICAL DIMENSIONS:

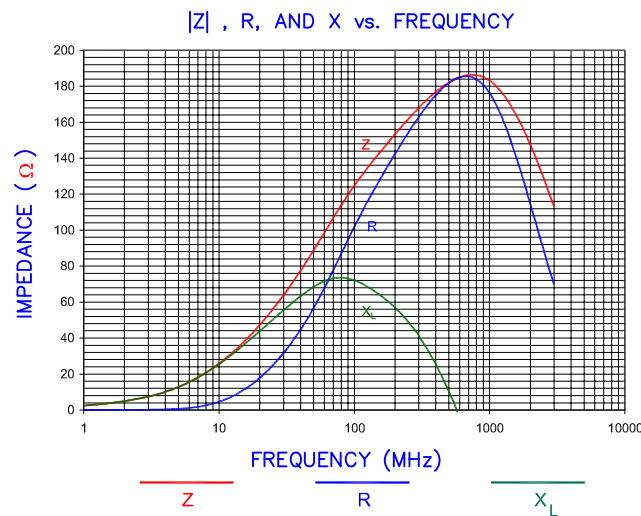
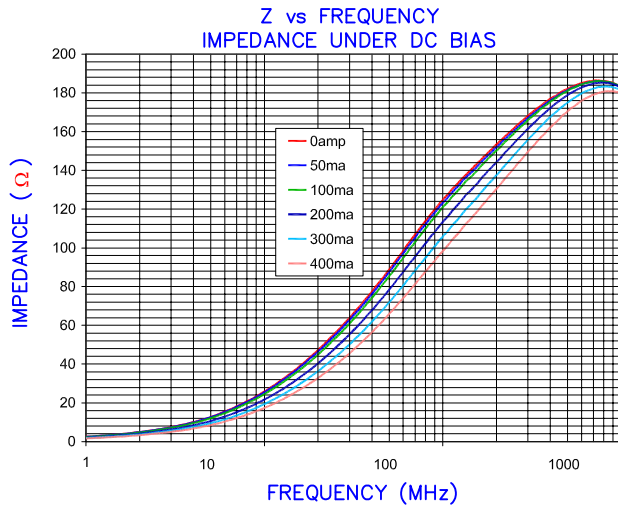
A	4.50 [.177]	± 0.25 [.010]
B	3.20 [.126]	± 0.25 [.010]
C	1.40 [.055]	± 0.25 [.010]
D	0.46 [.018]	± 0.20 [.008]



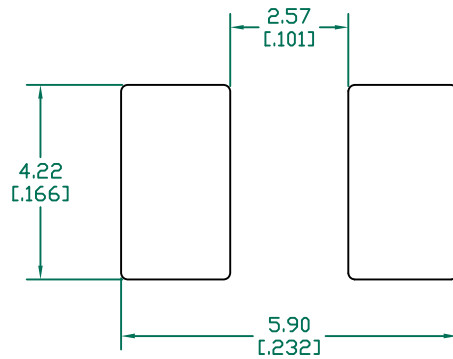
ELECTRICAL CHARACTERISTICS:			
Z @ 100MHz (Ω)	DCR (Ω)	Rated Current	
Nominal	120		
Minimum	90		
Maximum	150	0.400	400 mA

NOTES: UNLESS OTHERWISE SPECIFIED

1. TAPED AND REELED per CURRENT EIA SPECIFICATIONS 13" REELS, 2500 PCS/REEL.
2. COMPONENTS SHOULD BE ADEQUATELY PREHEATED BEFORE SOLDERING.
3. TERMINATION FINISH IS 100% TIN.
4. OPERATING TEMP. RANGE: $-40^{\circ}\text{C} \sim +125^{\circ}\text{C}$. (INCLUDING SELF-HEATING)

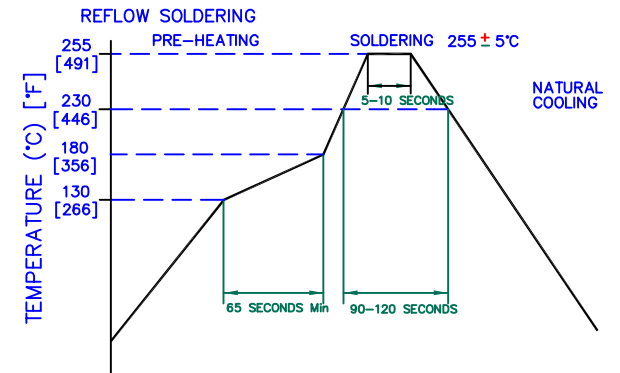


LAND PATTERNS FOR REFLOW SOLDERING



(For wave soldering, add 0.762 (.030) to this dimension)

RECOMMENDED SOLDERING CONDITIONS



DIMENSIONS ARE IN mm [INCHES].				This print is the property of Laird Tech. and is loaned in confidence subject to return upon request and with the understanding that no copies shall be made without the written consent of Laird Tech. All rights to design or invention are reserved.			
				Laird			
				PROJECT/PART NUMBER: LI1812D121R-10			
C	ADD OPERATING TEMPERATURE UPDATE LAIRD LOGO AND REFLOW CURVE	08/05/13	QU	REV	C	PART TYPE: CO-FIRE	DRAWN BY: JRK
B	UPDATE COMPANY LOGO ADD ROHS SYM	07/24/08	JRK	DATE:	08/16/04	SCALE: NTS	SHEET:
A	ORIGINAL DRAFT	08/16/04	JRK	CAD #	LI1812D121R-10-C	TOOL #	-
REV	DESCRIPTION	DATE	INT	2 of 3			

